

FCT-PF

FLOATING CEILING TRIM

SAMPLE SPECIFICATION

specify as: SOFTFORMS® Model # FCT-PF

Pittcon SOFTFORMS® LLC

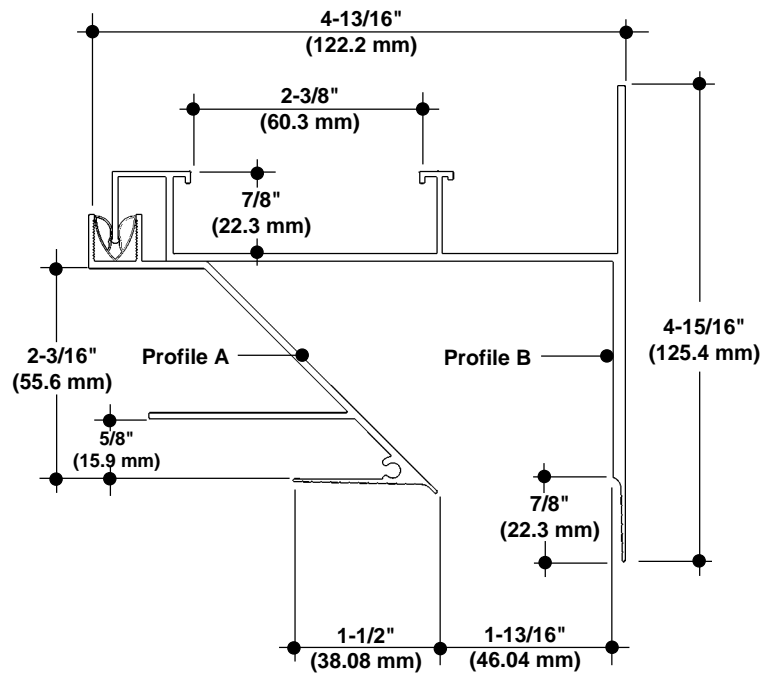
6409 Rhode Island Avenue
Riverdale, MD 20737
(800) 637-7638
(301) 927-1000
Fax: (301) 699-8690

3330 W. Flower Street
Phoenix, AZ 85017
(800) 637-7638
(602) 233-9100
Fax: (602) 233-9400

The extruded aluminum profiles shall incorporate continuous integral fins for surface contact to conventionally installed gypsum drywall. The tape & spackle fins shall be 1-1/2" wide (Profile A) and 7/8" wide (Profile B) and shall be tapered to the edge. A series of continuous grooves shall be extruded into the face of the fins to provide greater bonding surface. A second, non-tapered attachment fin is provided at the top of Profile B.

The extruded profiles shall be primed with corrosion-resistant primer compatible with materials normally in use in conjunction with commercial interiors, i.e.: joint compound, latex and enamel paints, and wall covering adhesives.

MATERIAL: Aluminum Alloy.....6063 T5 or equal
Finish.....Factory primed

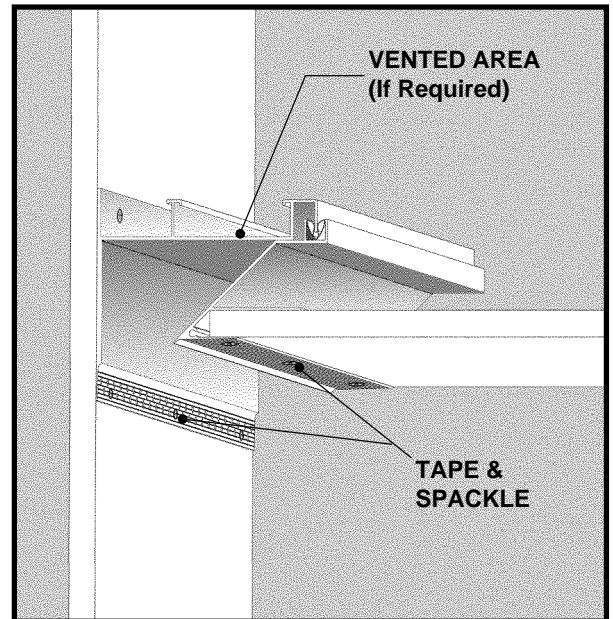
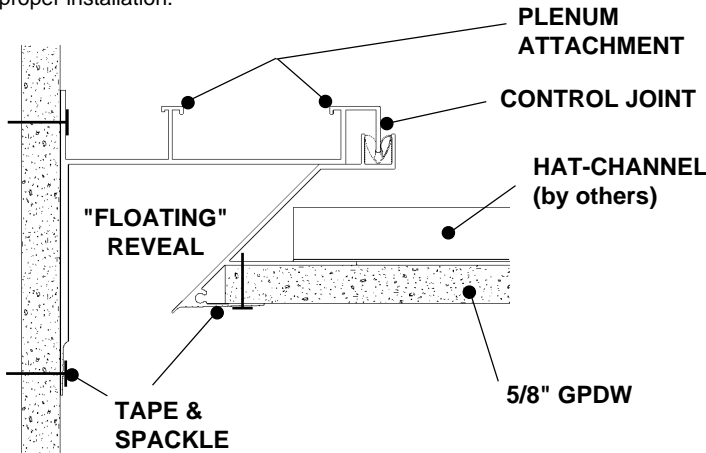


FCT-PF **FLOATING CEILING TRIM**
NO SCALE **SECTION**

EXAMPLE DETAIL

For use with conventional metal stud construction and 5/8" GPDW only.

The FCT-PF Floating Trim permits the introduction of a ceiling-edge reveal with a deep recess. The control-joint gasket allows for expansion and contraction at the reveal: nominal reveal width is 1-13/16". Profile B is provided with a snap-in plenum attachment. Optional venting can be provided for an open area up to 18-1/2 square inches per linear foot. Screws through the grooved fins must always engage metal or wood substructure to ensure proper installation.



FCT-PF FLOATING TRIM @ WALL/CEILING
NO SCALE **SECTION**

© 2007 Pittcon Industries



2090 Del Rio Way, Unit B
Ontario, CA 91761
Phone: (909) 773-0001
Fax: (909) 773-0091

3330 W. Flower Street
Phoenix, AZ 85017
Phone: (602) 233-9100
Fax: (602) 233-9400

Pittcon Industries
DIVISION OF PITTCO ARCHITECTURAL METALS, LLC
800 637-7638



6409 Rhode Island Ave.
Riverdale, MD 20737
Phone: (301) 927-1000
Fax: (301) 699-8690