

# FWT-150 FLOATING WALL TRIM

## SAMPLE SPECIFICATION

specify as: SOFTFORMS®

Model # FWT-150

### Pittcon

6409 Rhode Island Avenue  
Riverdale, MD 20737  
(800) 637-7638  
(301) 927-1000  
Fax: (301) 699-8690

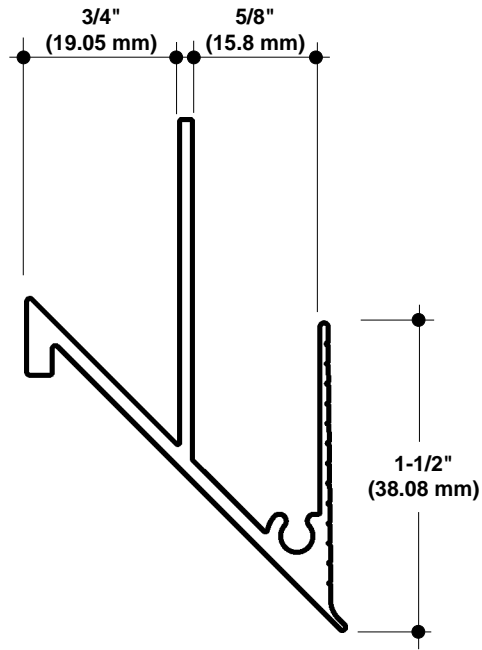
### LLC

3330 W. Flower Street  
Phoenix, AZ 85017  
(800) 637-7638  
(602) 233-9100  
Fax: (602) 233-9400

The extruded aluminum profile shall incorporate a continuous integral fin for surface contact to conventionally installed gypsum drywall. The fin shall be 1-1/2" tall and shall be tapered to the edge. A series of continuous grooves shall be extruded into the face of the fin to provide greater bonding surface.

The extruded profile shall be primed with corrosion-resistant primer compatible with materials normally in use in conjunction with commercial interiors, i.e.: joint compound, latex and enamel paints, and wall covering adhesives.

MATERIAL: Aluminum Alloy.....6063 T5 or equal  
Finish.....Factory primed



### FWT-150

NO SCALE

### FLOATING WALL TRIM

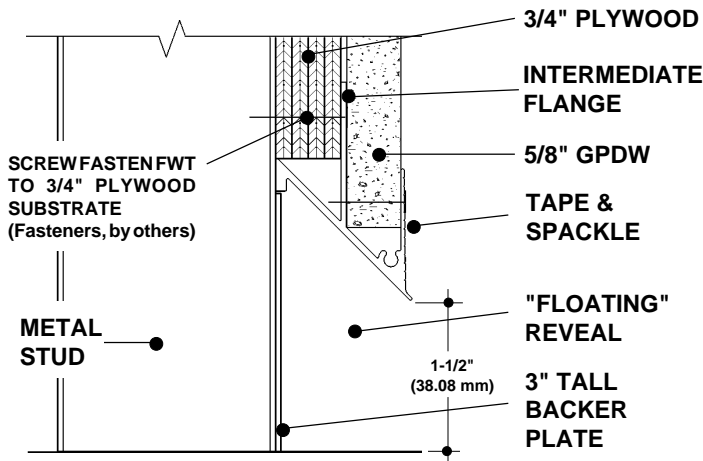
SECTION

## EXAMPLE DETAIL

For use with conventional metal stud construction and 5/8" GPDW only.

The FWT-150 Floating Trim permits the introduction of a floor-level reveal with a deep recess. The 3" tall backer plate presets the height of the reveal at 1-1/2" off the floor. Optionally, other size backer plates are available to set the reveal height as desired.

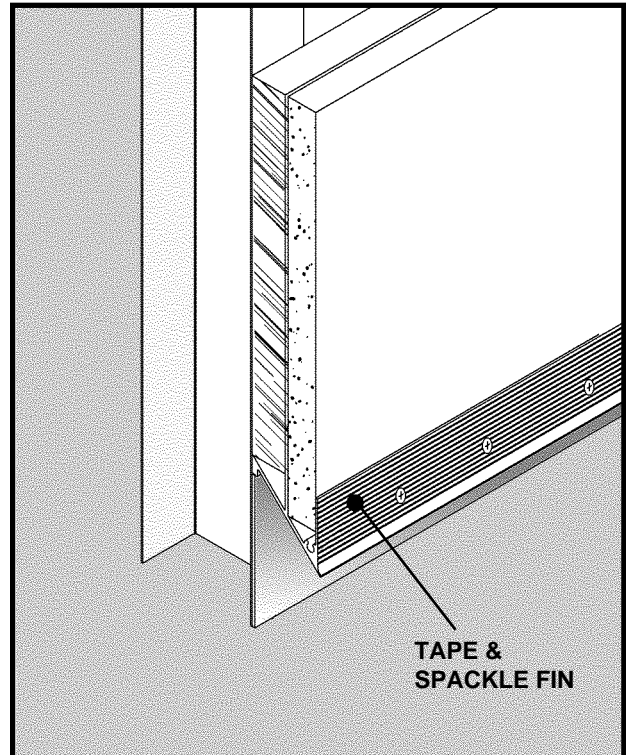
Note that a sub-layer of 3/4" plywood is required to properly install the FWT profile. The FWT-150 must be properly anchored to plywood substrate prior to installation of 5/8" GPDW. Fasteners through Tape & Spackle fin must engage intermediate flange.



### FWT-150 FLOATING TRIM @ STUD WALL

NO SCALE

SECTION



All details, methods and specifications are the exclusive property of Pittcon Softforms® LLC. Pittcon reserves the right to change any specifications or details without prior notification. All Softforms® profiles are available in standard 10' lengths ±1/8" (2.048 M). Other lengths are available as special order items. For custom shapes, sizes, or for special finishes, please contact the factory or your nearest Pittcon sales representative.

© 2007 Pittcon SOFTFORMS® LLC.

# Softforms

PREFORMED ARCHITECTURAL PROFILES  
FOR DRYWALL CONSTRUCTION

SR 32